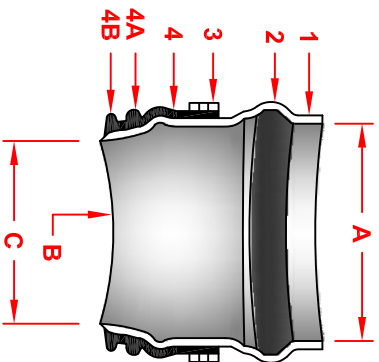


IPS/SCH 40 GASKETED BELL GRAVITY APPLICATIONS

- A.** BELL END ACCEPTS PIPE WITH IPS/SCH 40 OR EQUIVALENT O.D. SPECIFICATION IN 4", 6", 8", 10" AND 12" SIZES
- B.** CURVATURE VARIES WITH MAINLINE DIAMETERS.
- C.** SPIGOT END PVC SDR 26, ASTM D3034 DIAMETERS: 4", 6", 8", 10", AND 12"



PART	PART NAME
1	HUB ADAPTOR
2	RUBBER GASKET
3	SECURING CLAMP*

4	RUBBER SLEEVE (AVAILABLE IN NITRILE AND EPDM BY SPECIAL ORDER)
4A	UPPER SEGMENT**
4B	LOWER SEGMENT***

MATERIALS
 SDR 26 HWS ASTM D3034
 ASTM F477
 BAND SS #301
 SCREW SS #305
 HOUSING SS #301
 ASTM F477

* OPTIONAL: #316 STAINLESS STEEL BAND, SCREW AND HOUSING
 ** DISTANCE BETWEEN 4A AND 4B WILL VARY BY PRODUCT TYPE
 *** WILL NOT APPEAR ON RUBBER SLEEVES FOR CONCRETE OR CLAY PIPE

INSERTA TEE SIZE	HOLE DIAMETER
4" (100 mm)	4 1/2" (114 mm)
6" (150 mm)	6 1/2" (165 mm)
8" (200 mm)	8 3/4" (222 mm)
10" (250 mm)	10 7/8" (276 mm)
12" (300 mm)	12 7/8" (327 mm)

NOTE: RECOMMENDED METHOD OF CUTTING HOLE IS WITH HOLE SAW FOR PVC AND OTHER PLASTICS, AND DIAMOND BIT FOR CONCRETES, CLAY, FRP AND D.I. (SEE INSTALLATION INSTRUCTIONS. HOLE SAWS ARE AVAILABLE FOR PURCHASE OR RENT.)



INSERTA TEE | PO BOX 714
 CORNELIUS, OR 97116
 PH: (503) 357-2110 FAX: (503) 359-5417
 SALES@INSERTATEE.COM

IPS/SCH 40 GASKETED BELL GRAVITY APPLICATION SPECIFICATIONS

SCALE: NTS
 DATE: 9/12/2013
 DRAWN BY: KLJ

THIS PRINT DISCLOSES SUBJECT MATTER IN WHICH INSERTA-TEE HAS PROPRIETARY RIGHTS. THE RECEIPT OR POSSESSION OF THIS PRINT DOES NOT CONFER, TRANSFER, OR LICENSE THE USE OF INVENTION CONTAINED HEREIN OR MANUFACTURE OF ANY ARTICLE HEREFROM. FOR THE DESIGN OR CONTAINED HEREIN OR MANUFACTURE OF ANY ARTICLE HEREFROM, FOR THE FROM INSERTA-TEE.