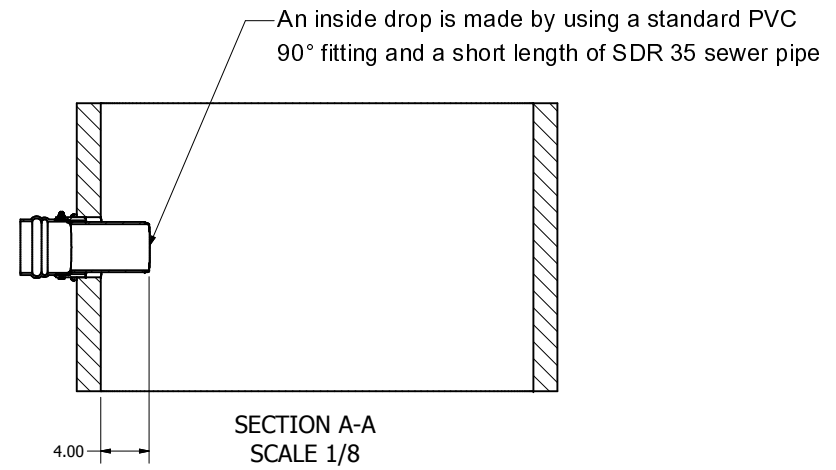
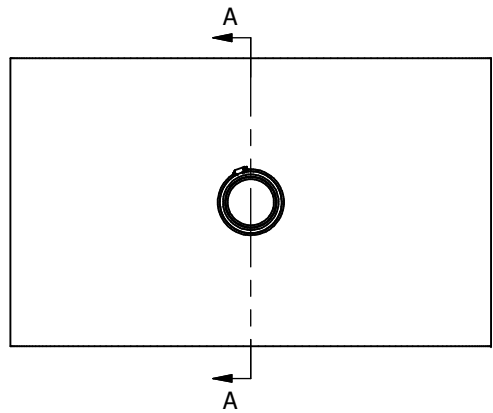
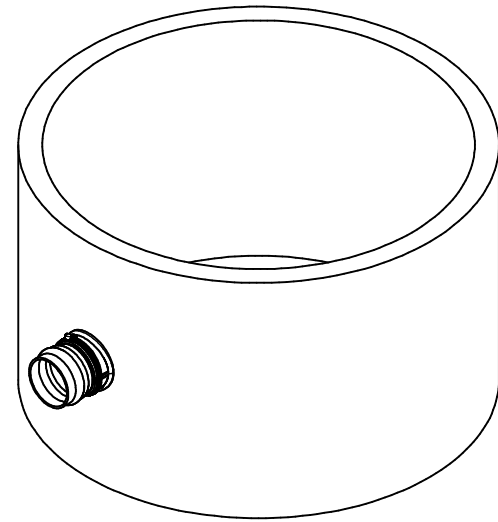


4" Inserta Tee



Note: XL version can be used on Conc, PE, or Fiberglass MH.
Specify wall thickness of MH and how much Inserta Tee should extend into MH.

Inserta Tees available in all standard sizes including 4" thru 15".

Key Points: Watertight air testable connections that allow up to 10° of deflection on the outside entering line.

DRAWN Emery Roberts	11/24/2008	Inserta Tee		
CHECKED				
QA		TITLE		
MFG		XL MH CONECTION		
APPROVED				
		SIZE C	DWG NO manholeassembly1	REV
		SCALE 1:8	SHEET 1 OF 1	