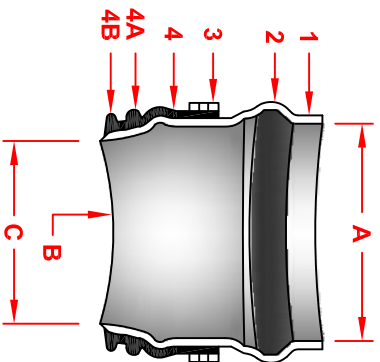


## SDR 26 HWS GASKETED BELL GRAVITY APPLICATIONS

- A.** BELL END ACCEPTS PIPE WITH SDR 26, ASTM D3034 OR EQUIVALENT O.D. SPECIFICATION IN 8", 10", 12", 15", AND 18" SIZES (FOR 4" AND 6" SIZES, REFER TO FATBOY SPECIFICATIONS)
- B.** CURVATURE VARIES WITH MAINLINE DIAMETERS.
- C.** SPIGOT END PVC SDR 26, ASTM D3034 DIAMETERS: 8", 10", 12", 15", AND 18"



<b>PART</b>	<b>PART NAME</b>	<b>MATERIALS</b>
1	HUB ADAPTOR	PVC SDR 26 ASTM D3034
2	RUBBER GASKET	ASTM F477
3	SECURING CLAMP*	BAND SS #301
4	RUBBER SLEEVE (AVAILABLE IN NITRILE AND EPDM BY SPECIAL ORDER)	SCREW SS #305
4A	UPPER SEGMENT**	HOUSING SS #301
4B	LOWER SEGMENT***	ASTM F477

\* OPTIONAL: #316 STAINLESS STEEL BAND, SCREW AND HOUSING  
 \*\* DISTANCE BETWEEN 4A AND 4B WILL VARY BY PRODUCT TYPE  
 \*\*\* WILL NOT APPEAR ON RUBBER SLEEVES FOR CONCRETE OR CLAY PIPE

<b>INSERTA TEE SIZE</b>	<b>HOLE DIAMETER</b>
8" (200 mm)	8 3/4" (222mm)
10" (250 mm)	10 7/8" (276mm)
12" (300 mm)	12 7/8" (327mm)
15" (375 mm)	15 13/16" (402mm)
18" (450 mm)	19 3/16" (503mm)

NOTE: RECOMMENDED METHOD OF CUTTING HOLE IS WITH HOLE SAW FOR PVC AND OTHER PLASTICS, AND DIAMOND BIT FOR CONCRETES, CLAY, FRP AND D.I. (SEE INSTALLATION INSTRUCTIONS. HOLE SAWS ARE AVAILABLE FOR PURCHASE OR RENT.)



INSERTA TEE | PO BOX 714  
 CORNELIUS, OR 97116  
 PH: (503) 357-2110 FAX: (503) 359-5417  
 SALES@INSERTATEE.COM

### SDR 26 HWS GASKETED BELL GRAVITY APPLICATION SPECIFICATIONS

SCALE: NTS  
 DATE: 9/12/2013  
 DRAWN BY: KLJ

THIS PRINT DISCLOSES SUBJECT MATTER IN WHICH INSERTA-TEE HAS PROPRIETARY RIGHTS. THE RECEIPT OR POSSESSION OF THIS PRINT DOES NOT CONFER, TRANSFER, OR LICENSE THE USE OF INVENTION CONTAINED HEREIN OR MANUFACTURE OF ANY ARTICLE HEREFROM. FOR THE DESIGN OR USE OF THIS PRINT, OTHERS IS FORBIDDEN, EXCEPT BY SPECIFIC WRITTEN PERMISSION FROM INSERTA-TEE.