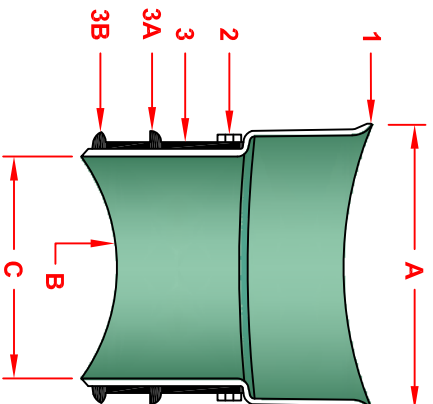


# CORRUGATED HDPE/PP BELL GRAVITY APPLICATIONS

- A.** BELL END ACCEPTS CORRUGATED HDPE/PP DUAL WALL PIPE--ADS/HANCOR INC. SPECIFICATIONS IN 4", 6", 8", 10", 12", 15", 18", 21", 24", AND 30" SIZES.
- B.** CURVATURE VARIES WITH MAINLINE DIAMETERS.
- C.** SPIGOT END PVC SDR 35, ASTM D3034 DIAMETERS: 4", 6", 8", 10", 12", 15", 18", 21", 24" AND 30"



PART	PART NAME
1	HUB ADAPTOR
2	SECURING CLAMP*

- 3 RUBBER SLEEVE (AVAILABLE IN NITRILE AND EPDM BY SPECIAL ORDER)
- 3A UPPER SEGMENT\*\*\*
- 3B LOWER SEGMENT\*\*\*
- 4 (NOT SHOWN) ADS/HANCOR INC. SUPPLIES VALLEY GASKET

**MATERIALS**  
 PVC SDR 26 ASTM D3034  
 BAND SS #301  
 SCREW SS #305  
 HOUSING SS #301  
 ASTM F477

\* OPTIONAL: #316 STAINLESS STEEL BAND, SCREW AND HOUSING  
 \*\* DISTANCE BETWEEN 4A AND 4B WILL VARY BY PRODUCT TYPE  
 \*\*\* WILL NOT APPEAR ON RUBBER SLEEVES FOR CONCRETE OR CLAY PIPE

INSERTA TEE SIZE	HOLE DIAMETER
4" (100 mm)	4 1/2" (114 mm)
6" (150 mm)	6 1/2" (165 mm)
8" (200 mm)	8 3/4" (222 mm)
10" (250 mm)	10 7/8" (276 mm)
12" (300 mm)	12 7/8" (327 mm)
15" (375 mm)	15 13/16" (402 mm)
18" (450 mm)	19 3/16" (503 mm)
21" (525 mm)	22 9/16" (573 mm)
24" (600 mm)	25 5/16" (643 mm)
30" (750 mm)	32 17/32" (826 mm)

NOTE: RECOMMENDED METHOD OF CUTTING HOLE IS WITH HOLE SAW FOR PVC AND OTHER PLASTICS, AND DIAMOND BIT FOR CONCRETES, CLAY, FRP AND D.I. (SEE INSTALLATION INSTRUCTIONS. HOLE SAWS ARE AVAILABLE FOR PURCHASE OR RENT.)



INSERTA TEE | PO BOX 714  
 CORNELIUS, OR 97116  
 PH: (503) 357-2110 FAX: (503) 359-5417  
 SALES@INSERTATEE.COM

## CORRUGATED HDPE/PP BELL GRAVITY APPLICATION SPECIFICATIONS

SCALE: NTS  
 DATE: 9/12/2013  
 DRAWN BY: KLJ

THIS PRINT DISCLOSES SUBJECT MATTER IN WHICH INSERTA-TEE HAS PROPRIETARY RIGHTS. THE RECEIPT OR POSSESSION OF THIS PRINT DOES NOT CONFER, TRANSFER, OR LICENSE THE USE OF THE DESIGN OR TECHNICAL INFORMATION SHOWN HEREIN. REPRODUCTION OF THIS PRINT OR ANY INFORMATION CONTAINED HEREIN OR MANUFACTURE OF ANY ARTICLE HEREON FOR THE DESIGN OR OTHER PURPOSES IS FORBIDDEN, EXCEPT BY SPECIFIC WRITTEN PERMISSION FROM INSERTA-TEE.