

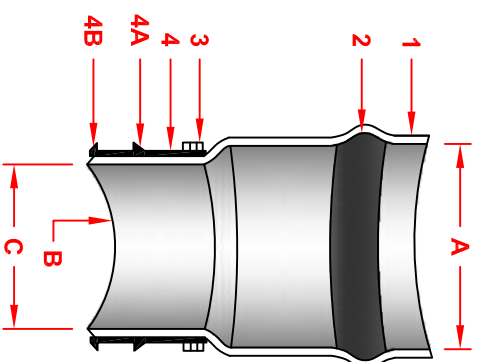
# C900 GASKETED BELL GRAVITY APPLICATIONS

**A.** BELL END ACCEPTS PIPE WITH C900\* OR EQUIVALENT O.D. SPECIFICATION IN 4", 6", 8", 10", 12", 18", 24", AND 30" SIZES.

**B.** CURVATURE VARIES WITH MAINLINE DIAMETERS.

**C.** SPIGOT END PVC SDR 35, ASTM D3034 DIAMETERS: 4", 6", 8", 10", 12", 18", 24" AND 30"

\* FOR ADDITIONAL SIZES, CONTACT FACTORY



PART	PART NAME
1	HUB ADAPTOR
2	RUBBER GASKET
3	SECURING CLAMP*

4	RUBBER SLEEVE (AVAILABLE IN NITRILE AND EPDM BY SPECIAL ORDER)
4A	UPPER SEGMENT**
4B	LOWER SEGMENT***

**MATERIALS**  
 PVC SDR 26 ASTM D3034  
 ASTM F477  
 BAND SS #301  
 SCREW SS #305  
 HOUSING SS #301  
 ASTM F477

\* OPTIONAL: #316 STAINLESS STEEL BAND, SCREW AND HOUSING  
 \*\* DISTANCE BETWEEN 4A AND 4B WILL VARY BY PRODUCT TYPE  
 \*\*\* WILL NOT APPEAR ON RUBBER SLEEVES FOR CONCRETE OR CLAY PIPE

INSERTA TEE SIZE	HOLE DIAMETER
4"	4 1/2" (114 mm)
6"	6 1/2" (165 mm)
8"	8 3/4" (222 mm)
10"	10 7/8" (276 mm)
12"	12 7/8" (327 mm)
18"	19 3/16" (503 mm)
24"	25 5/16" (643 mm)
30"	32 17/32" (826 mm)

NOTE: RECOMMENDED METHOD OF CUTTING HOLE IS WITH HOLE SAW FOR PVC AND OTHER PLASTICS, AND DIAMOND BIT FOR CONCRETES, CLAY, FRP AND D.I. (SEE INSTALLATION INSTRUCTIONS. HOLE SAWS ARE AVAILABLE FOR PURCHASE OR RENT.)



INSERTA TEE | PO BOX 714  
 CORNELIUS, OR 97116  
 PH: (503) 357-2110 FAX: (503) 359-5417  
 SALES@INSERTATEE.COM

## C900 GASKETED BELL GRAVITY APPLICATION SPECIFICATIONS

SCALE:	NTS
DATE:	9/12/2013
DRAWN BY:	KLJ

THIS PRINT DISCLOSES SUBJECT MATTER IN WHICH INSERTA-TEE HAS PROPRIETARY RIGHTS. THE RECEIPT OR POSSESSION OF THIS PRINT DOES NOT CONFER, TRANSFER, OR LICENSE THE USE OF INVENTION CONTAINED HEREIN OR MANUFACTURE OF ANY ARTICLE HEREIN OR FOR THE DESIGN OR CONSTRUCTION OF ANY OTHER ARTICLES EXCEPT BY SPECIFIC WRITTEN PERMISSION FROM INSERTA-TEE.