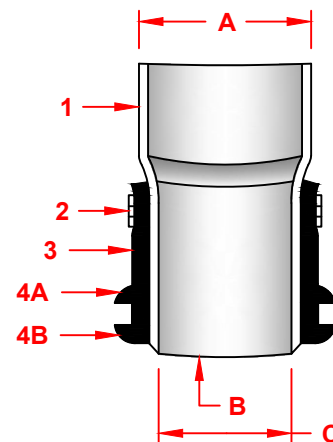


2" and 3" SIZES - IPS/SCH 40 SOLVENT WELD BELL GRAVITY APPLICATIONS

- A.** BELL END ACCEPTS PIPE WITH IPS/SCH 40 OR EQUIVALENT O.D. SPECIFICATION IN 2" OR 3" SIZE.
- B.** CURVATURE VARIES WITH MAINLINE DIAMETERS.
- C.** SPIGOT END PVC SCH 40, ASTM D1785 2" OR 3" DIAMETER



PART

1
2

PART NAME

HUB ADAPTOR
SECURING CLAMP*

3
4A
4B

RUBBER SLEEVE (AVAILABLE IN NITRILE AND EPDM BY SPECIAL ORDER)
UPPER SEGMENT**
LOWER SEGMENT***

MATERIALS

SCH 40 ASTM D1785
BAND SS #301
SCREW SS #305
HOUSING SS #301
ASTM F477

- * OPTIONAL: #316 STAINLESS STEEL BAND, SCREW AND HOUSING
- ** DISTANCE BETWEEN 4A AND 4B WILL VARY BY PRODUCT TYPE
- *** WILL NOT APPEAR ON RUBBER SLEEVES FOR CONCRETE OR CLAY PIPE

INSERTA TEE SIZE

2" (51 mm)
3" (75 mm)

HOLE DIAMETER

2 ⁵/₈" (67 mm)
3 ³/₄" (95 mm)

NOTE: RECOMMENDED METHOD OF CUTTING HOLE IS WITH HOLE SAW FOR PVC AND OTHER PLASTICS, AND DIAMOND BIT FOR CONCRETES, CLAY, FRP AND D.I. (SEE INSTALLATION INSTRUCTIONS. HOLE SAWS ARE AVAILABLE FOR PURCHASE OR RENT.)



INSERTA TEE | PO BOX 714
CORNELIUS, OR 97116
PH:(503) 357-2110 FAX:(503) 359-5417
SALES@INSERTATEE.COM

2"- 3" IPS/SCH 40 SOLVENT WELD BELL GRAVITY APPLICATION SPECIFICATIONS

SCALE: NTS
DATE: 12-11-2017
DRAWN BY: RJ3

THIS PRINT DISCLOSES SUBJECT MATTER IN WHICH INSERTA-TEE HAS PROPRIETARY RIGHTS. THE RECEIPT OR POSSESSION OF THIS PRINT DOES NOT CONFER, TRANSFER, OR LICENSE THE USE OF THE DESIGN OR TECHNICAL INFORMATION SHOWN HEREIN. REPRODUCTION OF THIS PRINT OR ANY INFORMATION CONTAINED HEREIN, OR MANUFACTURE OF ANY ARTICLE HEREFROM, FOR THE DISCLOSURE TO OTHERS IS FORBIDDEN, EXCEPT BY SPECIFIC WRITTEN PERMISSION FROM INSERTA-TEE.