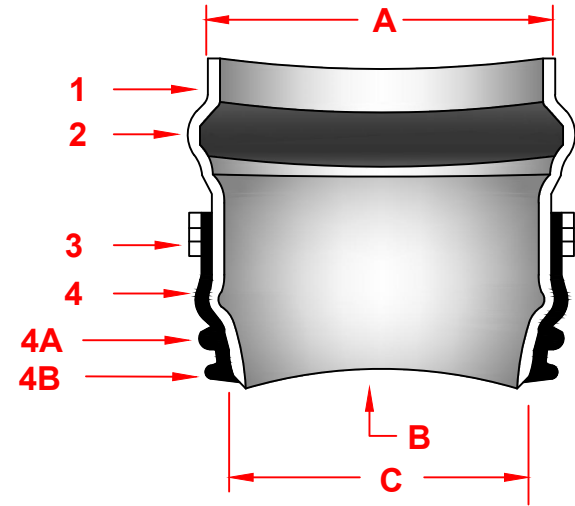


## 2" and 3" SIZES - IPS/SCH 40 GASKETED BELL GRAVITY APPLICATIONS

- A.** BELL END ACCEPTS PIPE WITH IPS/SCH 40 OR EQUIVALENT O.D. SPECIFICATION IN 2" OR 3" SIZE.
- B.** CURVATURE VARIES WITH MAINLINE DIAMETERS.
- C.** SPIGOT END PVC SCH 40, ASTM D1785 2" OR 3" DIAMETER



### PART

### PART NAME

- 1 HUB ADAPTOR
- 2 RUBBER GASKET
- 3 SECURING CLAMP\*

- 4 RUBBER SLEEVE (AVAILABLE IN NITRILE AND EPDM BY SPECIAL ORDER)
- 4A UPPER SEGMENT\*\*
- 4B LOWER SEGMENT\*\*\*

\* OPTIONAL: #316 STAINLESS STEEL BAND, SCREW AND HOUSING  
 \*\* DISTANCE BETWEEN 4A AND 4B WILL VARY BY PRODUCT TYPE  
 \*\*\* WILL NOT APPEAR ON RUBBER SLEEVES FOR CONCRETE OR CLAY PIPE

### MATERIALS

SCH 40 ASTM D1785  
 ASTM F477  
 BAND SS #301  
 SCREW SS #305  
 HOUSING SS #301

ASTM F477

### INSERTA TEE SIZE

2" (51 mm)  
 3" (75 mm)

### HOLE DIAMETER

2 5/8" (67 mm)  
 3 3/4" (95 mm)

NOTE: RECOMMENDED METHOD OF CUTTING HOLE IS WITH HOLE SAW FOR PVC AND OTHER PLASTICS, AND DIAMOND BIT FOR CONCRETES, CLAY, FRP AND D.I. (SEE INSTALLATION INSTRUCTIONS. HOLE SAWS ARE AVAILABLE FOR PURCHASE OR RENT.)



INSERTA TEE | PO BOX 714  
 CORNELIUS, OR 97116  
 PH: (503) 357-2110 FAX: (503) 359-5417  
 SALES@INSERTATEE.COM

### 2"- 3" IPS/SCH 40 GASKETED BELL GRAVITY APPLICATION SPECIFICATIONS

SCALE: NTS  
 DATE: 12-11-2017  
 DRAWN BY: RJ3

THIS PRINT DISCLOSES SUBJECT MATTER IN WHICH INSERTA-TEE HAS PROPRIETARY RIGHTS. THE RECEIPT OR POSSESSION OF THIS PRINT DOES NOT CONFER, TRANSFER, OR LICENSE THE USE OF THE DESIGN OR TECHNICAL INFORMATION SHOWN HEREIN. REPRODUCTION OF THIS PRINT OR ANY INFORMATION CONTAINED HEREIN, OR MANUFACTURE OF ANY ARTICLE HEREFROM, FOR THE DISCLOSURE TO OTHERS IS FORBIDDEN, EXCEPT BY SPECIFIC WRITTEN PERMISSION FROM INSERTA-TEE.