

INSERTA TEE® MANIFOLD ADAPTORS FOR SLIPLINING AND PIPE BURSTING

INSERTA TEE is a three piece service connection consisting of a PVC Hub, Rubber Sleeve and Stainless Steel Band. INSERTA TEE is compression fit into the cored wall of a mainline and requires no special tooling. INSERTA TEES are designed to connect 4" (100 mm) through 30" (750 mm) services to all known solidwall, profile, closed profile and corrugated pipe manufactured today.

When Sliplining, Pipe Bursting and Relining, INSERTA TEE allows the following:

- Compression fitting directly into both mainline and new liner or just into new liner
- Simple installation with no special equipment required
- For Pipe Bursting the connection is made directly into solid wall PE and PVC pipe



Rubber Sleeve

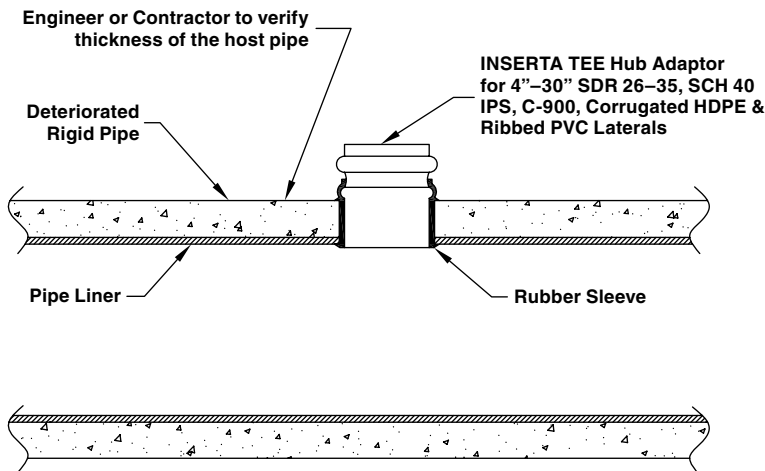


Stainless Steel Band

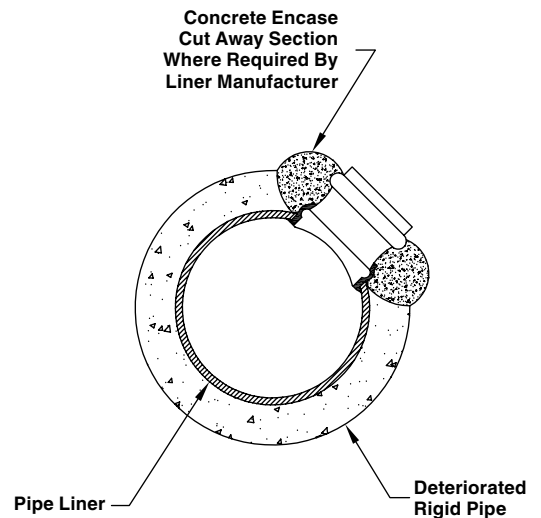


Gasketed PVC Hub

Detail for coring—both the host pipe and the liner



Detail for coring—directly into the liner



Inserta Fittings Co.
PO Box 714
Cornelius, OR 97113

THE LATERAL CONNECTION SOLUTION[®]

TRENCHLESS PIPELINE REHABILITATION

